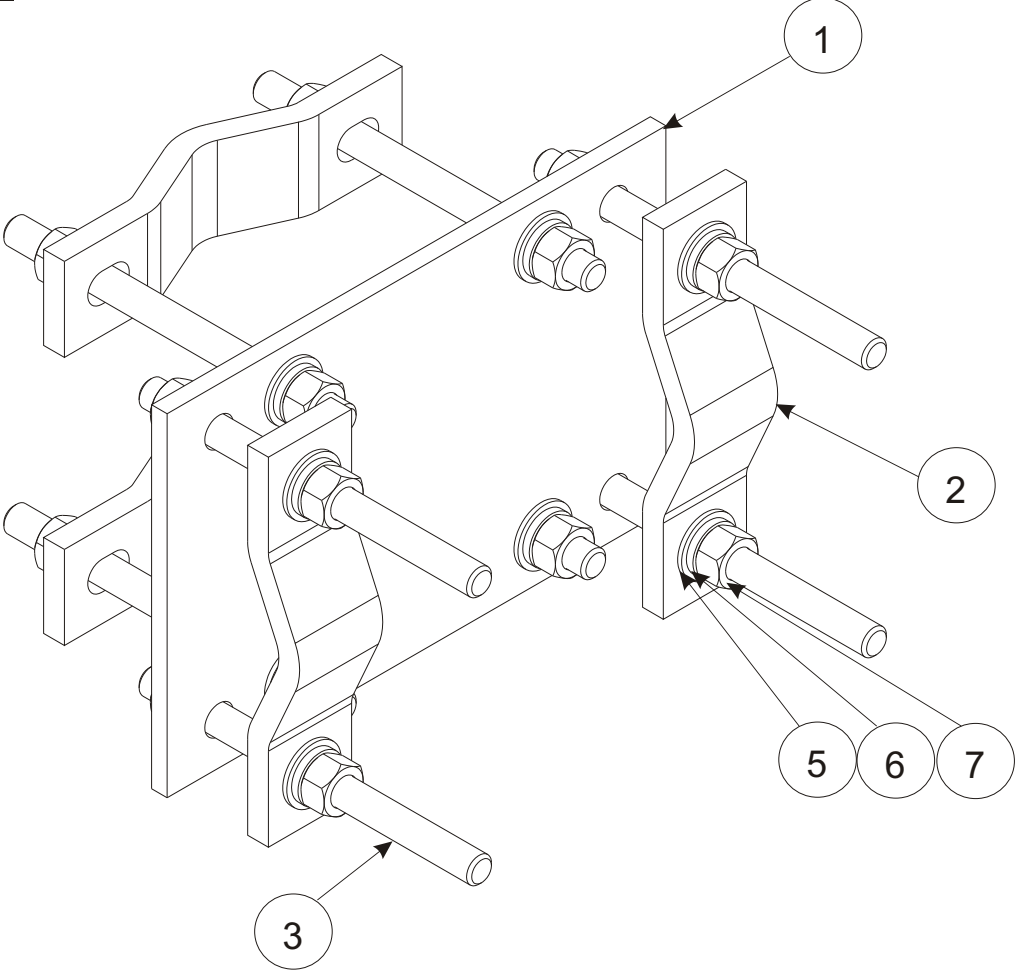


423517



Bill of Material		
Item	Description	Qty.
1	Crossover Plate 12" X 8"	1
2	Dish Clamp Half	4
3	5/8" X 8" Galv. Threaded Rod	8
4	Hardware Kit (consists of items 5-7)	1
5	5/8" Galv. Flat Washer (A325)	16
6	5/8" Galv. Lock Washer	16
7	5/8" Galv. Nut (A325)	16

**Crossover Plate for 2" to 5" OD**

Part #	Description
423517	Crossover Plate for 2" to 5" OD

**Crossover Plate, 2"-5" OD**

Global Logistics Center  
 11126 McCormick Road  
 Hunt Valley, MD 21031-1494  
 410-229-1000 tel 410-527-0005 fax

Nevada Location  
 4775 Air Center Circle  
 Reno, NV 89502  
 888-821-0591 tel 775-689-5557 fax

