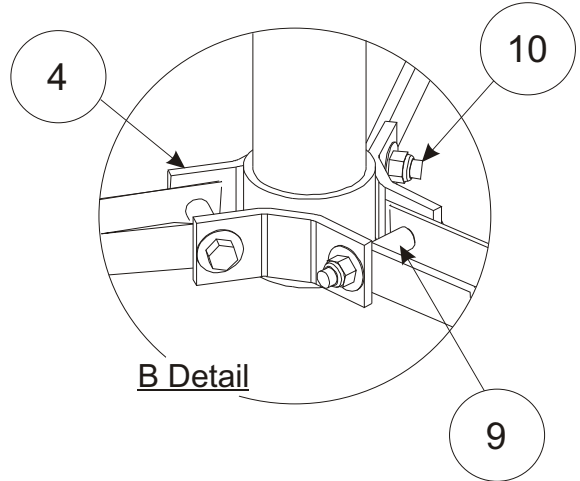
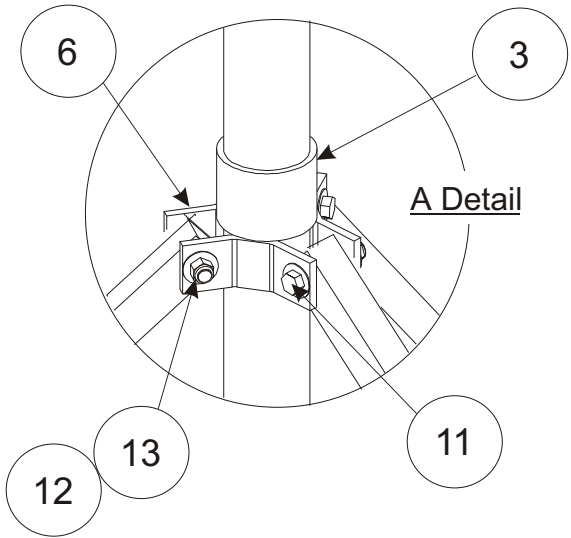
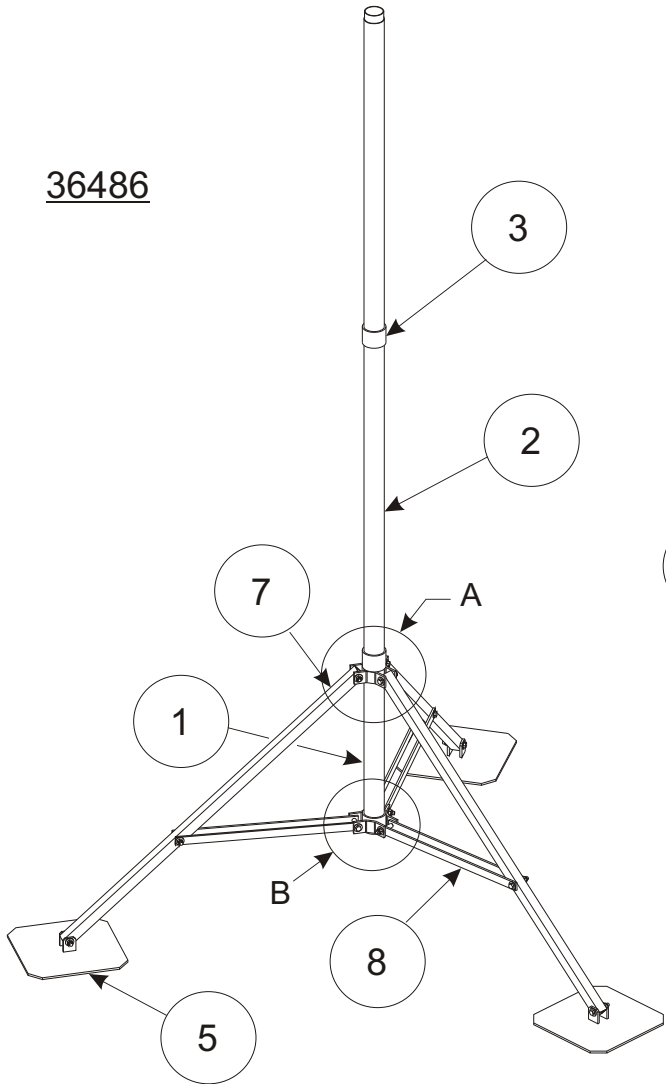


36486



Bill of Material			
Item	Description	Weight LBS	Qty.
1	Base Pipe 21.63" Lg.	2.15	1
2	Extension Pipe 43.25" Lg.	4.4	2
3	Aluminum Pipe Coupler	0.43	2
4	Leg Bracket Coupler	0.86	1
5	Aluminum Tripod Foot	3.55	3
6	Aluminum Bracket	0.14	3
7	Tripod Leg	2.58	3
8	Leg Brace	0.54	6
9	1.25" X .50" Dia. SS Tubing	0.02	3
10	3/8" X 3" SS Bolt	0.11	3
11	3/8" X 2-1/2" SS Bolt	0.1	9
12	3/8" SS Flat Washer	0.01	24
13	3/8" SS Nylock Hex Nut	0.02	12

**Aluminum Tripod Mount**

Part #	Description	Weight LBS
36486	Aluminum Tripod Mount	36.39

**Aluminum Tripod Mount**

Global Logistics Center  
 11126 McCormick Road  
 Hunt Valley, MD 21031-1494  
 410-229-1000 tel 410-527-0005 fax

Nevada Location  
 4775 Air Center Circle  
 Reno, NV 89502  
 888-821-0591 tel 775-689-5557 fax

