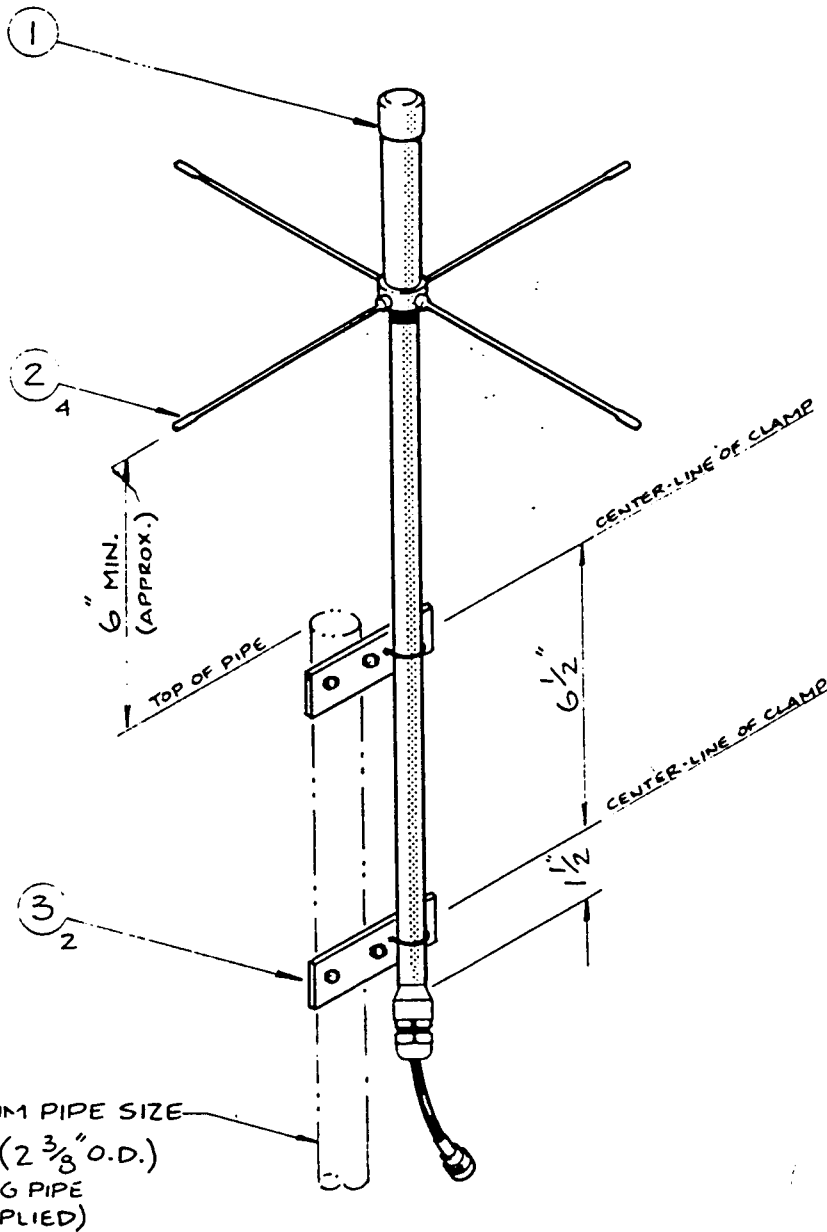


The Copyright of this document is reserved by Sinclair Radio Laboratories Limited. This document is issued on the condition that it is not copied, reproduced or disclosed to any other party without the written consent of Sinclair Radio Laboratories Limited.



MAXIMUM PIPE SIZE  
2" I.P.S. (2 3/8" O.D.)  
(MOUNTING PIPE  
NOT SUPPLIED)

| ITEM | PART NO.     | DESCRIPTION         | Q'TY. |
|------|--------------|---------------------|-------|
| 3    | A-451113-2   | # 135-B CLAMP       | 2     |
| 2    | A-350695-(1) | GROUND ROD ASSEMBLY | 4     |
| 1    | B-451312     | 301 ANTENNA         | 1     |



TORONTO  
VANCOUVER  
MONTREAL  
TONAWANDA

301 ANTENNA  
CUSTOMER ASSEMBLY

STANDARD TOLERANCES  
(UNLESS OTHERWISE SPECIFIED)  
DIMENSIONS IN INCHES

|      | ·X    | ·XX   | ·XXX  |        |
|------|-------|-------|-------|--------|
| 0-6  | ±.015 | ±.010 | ±.005 | ± 1/64 |
| 6-24 | ±.030 | ±.020 | ±.010 | ± 1/32 |
| 24-  | ±.060 | ±.040 | ±.020 | ± 1/16 |

ANGLE ± 1/2°

|             |      |      |          |             |         |
|-------------|------|------|----------|-------------|---------|
| DRAWN BY    | CC   | DATE | 20-3-36  | SHT. 1 OF 1 | SHT.(S) |
| CHECKED BY  | E.G. | DATE | 25.8.86  | DRAWING No. | ISSUE   |
| APPROVED BY | KSC  | DATE | 15-03-35 | A 015750    | 2       |

E.O. # 7222

2 18.10.83

REVISION

DATE

APP. ISSUE

REVISION

DATE

APP. ISSUE

REVISION

ISSUE DATE

APP.